

Luxman

COMPACT DISC PLAYER

D-N100

Owner's Manual

Contents

| | |
|-----------------------------------|----|
| Precautions | 3 |
| Names and Functions of Parts..... | 4 |
| Connections | 8 |
| Operation | 9 |
| Specifications | 10 |
| Troubleshooting | 11 |

Installation location

This unit should be installed where there is no vibration from the outside and where ventilation and heat dissipation are sufficient. Do not install where the temperature is abnormally high such as in direct sunlight or where it is dusty or humid because this could result in damage to this unit despite proper heat radiation. Do not install this unit where it will interfere with driving the car.

Do not move this unit during playback.

During playback, the disc is rotating at high speed. Do not try to lift or move this unit as the disc may be damaged.

When moving this unit, you must remove the disc and close the disc tray. If the unit is moved with a disc remaining inside, this can cause a malfunction.

Dew condensation

In winter, be careful when carrying this unit from a cold place to a warm place or if the room temperature is suddenly raised by a heater or the like where this unit is installed. The unit interior (operating blocks and lens) will have dew condensation on it. In such a condition, this unit cannot work normally and playback is impossible. This depends on the state of dew condensation, but you will be able to enjoy the music if the unit is left untouched for one to two hours after it has been turned on and the temperature of this unit is maintained at room temperature until the condensation dries. Even in summer, dew condensation can occur if this unit is directly exposed to cool air from an air conditioner. In such a case, the installation place should be changed.

How to handle discs

- Do not use any deficient discs (with cracks, warp, etc.).
- Do not damage the signal surface of the disc or make it dirty.
- Do not place paper or a sticker on the disc. Such awkward handling can warp the disc and playback may become impossible.
- Do not play with two discs in a stack.

■ Storage

- Always put your discs in a case. Store them vertically where high temperature, high humidity, and direct exposure to sunlight are not prevalent. Places with extremely low temperature should also be avoided.
- Read the caution notes carefully that are attached to discs.

■ Disc cleaning

- If a disc is dirty from fingerprints or dusty, the sound quality may be lowered. Lightly wipe the disc with soft cloth, from the inside to outer periphery. (Don't wipe it along the circumference.)
- Do not use a volatile chemical such as benzene or thinner. Record spray, anti-static agents, and other such materials cannot be used either.
- Where the disc seems to be very dirty, dip soft cloth in water, wring it well, and remove contaminants. Lastly, remove the moisture with dry cloth.

■ Disc in a specific shape

This unit cannot accept discs in specific shapes (heart-shaped, hexagonal, etc.) for playback. Never use such discs as they can cause malfunctions.

■ Types of discs that can be played

This unit can play CDs designed exclusively for music only. These CDs have the compact disc mark. This unit does not play MP3 or other formats. For a CD-R where a music CD has been recorded with a recorder or a personal computer, playback can fail according to the application setting or the quality of the CD-R.

Lens cleaning

If the lens is dusty, sound skips may take place. Please ask us for cleaning. Do not use any cleaning discs available on the market because they may hurt the lens.

Batteries

Caution:

Batteries used for remote controller shall not be exposed to excessive heat such as sunshine, fire or the like.

Repair and adjustments

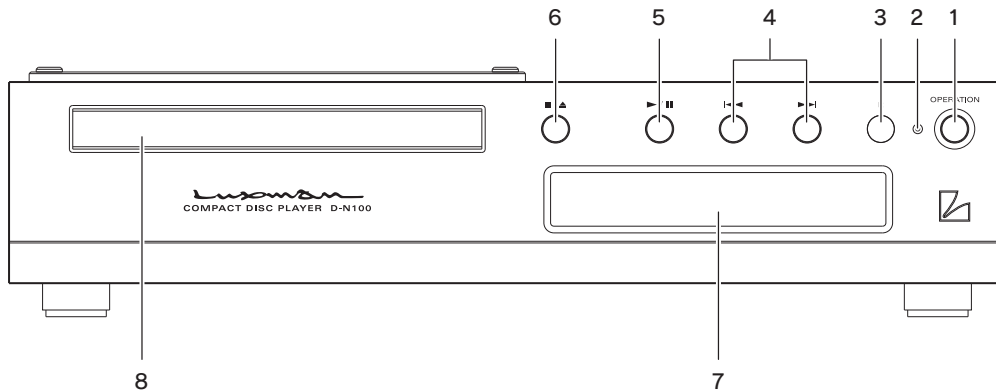
When repair and adjustments are needed, please ask the store where you bought the unit.

Cleaning

For cleaning, use a piece of soft cloth to wipe the unit such as cleaning cloth available on the market.

If the unit has become very dirty, remove the dirt with soft cloth absorbing a small amount of neutral detergent, and then wipe the unit with dry cloth. Do not use a solvent like benzene or thinner because such a substance can often damage the exterior.

Front panel



1. Operation switch (OPERATION)

This is a switch to turn the power supply ON/OFF. When the I/O terminals are connected, turn off this switch immediately.

2. Power indicator

When the main switch of the rear panel is turned ON, it is lit light yellow to indicate that this unit is on standby. When the operation switch of the front panel is turned ON in this state, it is lit bright yellow to indicate that this unit is ready-to-work.

3. Remote control infrared receiver (R)

This is a sensor to receive signals from the accessory remote control.

Do not place anything in front of the sensor.

4. Skip button (◀◀, ▶▶)

These buttons are used to skip forward or backward by track on the disc according to the direction and how many times the button is pressed. The music will start at the beginning of the selection.

5. Play/pause button (▶/⏸)

This button is used to start playback. When it is pressed in the middle of playback, the audio will pause.

6. Stop/open button (■/▲)

This button opens and closes the disc tray and stops playback. Each time the button is pressed when music is not playing, the disc tray opens or closes. When this button is pressed in the middle of playback, playback stops. When it is pressed once more, the disc tray opens.

7. Display

The display shows if there is a disc in the unit, what operation the unit is performing, lapse of time/residual time, and other such functional information.

8. Disc tray

This tray accommodates a disc. The tray opens when the stop/open button (■/▲) is pressed and a disc is not playing. Close the tray by pressing the stop/open button (■/▲) again after a disc has been placed in the tray.

9. Operation switch (⏻)

This is a power ON/OFF button.

10. Direct music select buttons (1 - 9, 0)

This is a playback button to use by specifying the music number directly. When specifying the tenth or later music selection, press the 10s digit button first and then the unit digit button within two seconds. (Example: For playback by designating the 12th music selection, press "1" and then "2" within two seconds.)

11. Stop button (■)

This button stops playback.

12. Open/close button (⬆)

This button opens and closes the disc tray. Each time this button is pressed, the disc tray is opened or closed.

13. Play/pause button (▶/⏸)

This button starts playback. When pressed in the middle of playback, of the disc pauses.

14. Skip buttons (⏮, ⏭)

These buttons are used to skip forward or backward by track. According to how many times the button is pressed, the music skips to the beginning of the selected track.

15. Search buttons (⏪, ⏩)

These are the Fast Forward/Rewind button for the music being played. When the button is released, ordinary playback resumes.

16. Time button (TIME)

Each time this button is pressed during playback, the display changes between [how long the music has been playing], [time left for the music being played], and [total playing time on the disc].

17. CD mute button (CD MUTE)

This button is used for temporary muting of the audio output from this unit. When this button is pressed again, sound resumes. Irrespective of the mute button being pushed, the disc continues to play.

18. Scan button (SCAN)

This button is used for introduction playback for all music on the disc. When this button is pressed, the leading part of each music track is played for ten seconds and this continues for all music on the disc. This stops when the leading part of the last music track has been played.

19. Recall button (RECALL)

This button is used to recall the previously played music.

20. Display button (DISPLAY)

This button is used to adjust the brightness of the main unit display. Each time this button is pressed, the brightness changes between three levels.

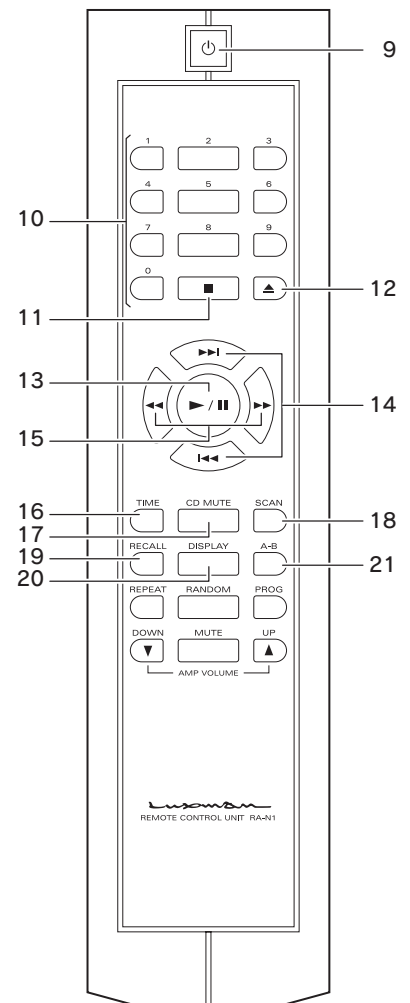
21. A-B button

This button is used for the repeated playback of tracks on a disc within a specified range. During playback, the button is pressed once where the range starts. When this button is pressed again where the range stops, this repeated playback is performed within the range specified.

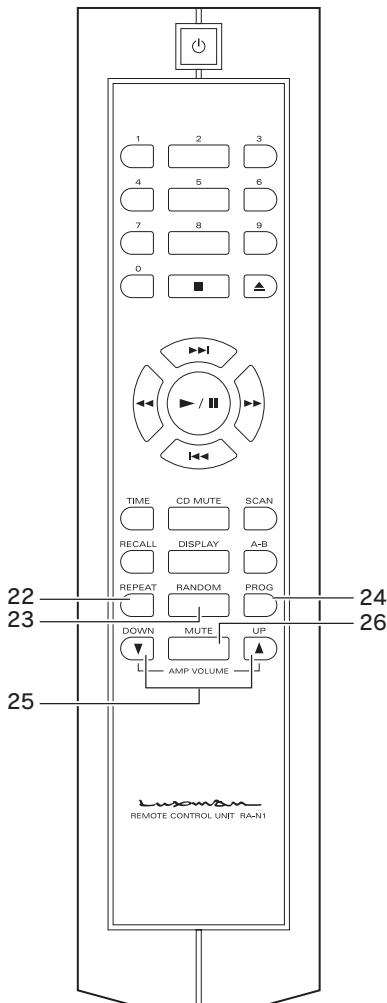
When this button is pressed again (for the third time) during the repeated playback, repeated playback is canceled and regular playback resumes.

This function is not available while playback is suspended.

Remote controller (RA-N1)



Remote controller (RA-N1)



22. Repeat button (REPEAT)

This button is used for repeated playback of a specific track or disc.

When this button is pressed in the middle of playback, the music being played at that time is then played once more (again and again). When this button is pressed again, the entire disc then played once more (again and again).

When this button is pressed again (for the third time) during the repeated playback, repeated playback is canceled and regular playback resumes.

This function is not available while playback is suspended.

23. Random button (RANDOM)

This button replays the music on a disc at random. Playback is stopped after all tracks are finished.

When this button is pressed again, regular playback resumes.

24. Program button (PROG)

This button is used to replay the music of a disc in your favorite order.

For detailed information about programming, refer to Page 9.

25. Amp volume button (AMP VOLUME, UP, DOWN)

This button is used to control the volume of the corresponding amplifier.

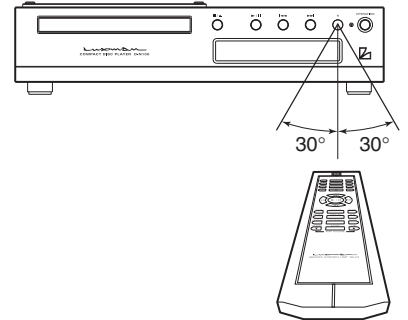
26. Amp mute button (MUTE)

This button is used to mute the corresponding amplifier. When this button is pressed again, the sound is heard again.

As of May 2007, the AMP volume control with the aid of a remote control is applicable to the pre-main amplifier SQ-N100.

Remote control

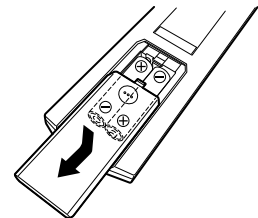
The remote control can be used by pointing it at the remote control infrared receiver of this unit. It should be used within the range shown in the illustration.



Effective distance about 5m

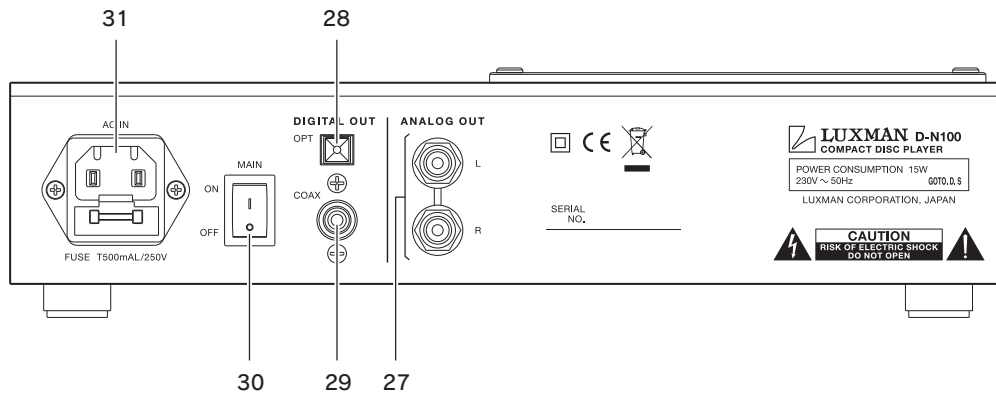
[Replacement of batteries]

1. Put your finger on the battery cover claw located behind the remote control. The battery cover can be opened by sliding it downwards.
2. Put 2 pieces of AAA batteries in the battery case shown in the illustration.



3. Close the battery cover.
 - * When the batteries start to lose power, the effective distance becomes shorter or the unit does not function even though the switch is pressed. The batteries should be replaced with new ones.
 - * If the remote control is not used for a long time, the batteries should be removed from the case.

Rear panel



27. Analog output terminal (ANALOG OUT)

This output terminal generates audio output in analog mode.

28. Digital (optical) output terminal (DIGITAL OUT, OPT)

This output terminal generates digital audio output of the optical type.

29. Digital (coaxial) output terminal (DIGITAL OUT, COAX)

This output terminal generates digital audio output of the coaxial type.

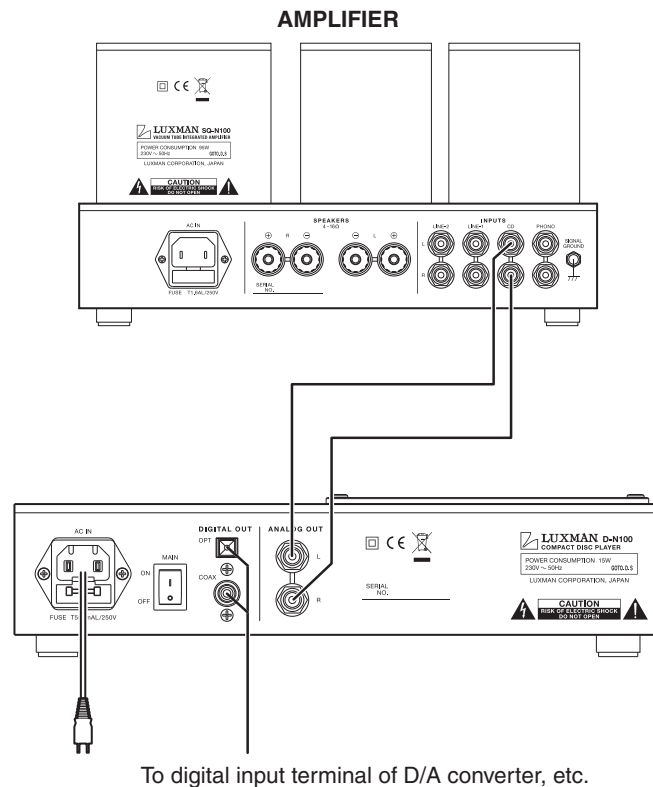
30. Main switch (MAIN SW)

This is the main power ON/OFF switch. When this power is not turned on, it is impossible to use the operation switch at the front panel.

31. AC inlet (AC IN)

The accessory power cable is connected. The power should be obtained from a outlet.

Connections



Before Making Connections

Before connecting other devices, connect the jack side of the accessory power cable to the AC inlet of this unit.

When connecting, turn off the operation switch of this unit and the power supplies of auxiliary devices to prevent unexpected accidents that may be caused by noise.

Connecting the Power Supply

Use an accessory AC power cable and insert the AC plug in a outlet on the wall in the room where the unit will be installed.

Connection to the amplifier (analog output)

Connect the analog output terminals to the line input terminals (CD, LINE, etc.) of the amplifier through two pin-plug cables of R and L.

When connecting, do not confuse the right and left connections.

Connecting to the amplifier (digital output)

The digital output should be applied to the digital input terminal of a D/A converter or an amplifier through the applicable cable.

Before operation

1. Confirm that the connections are correct. (Normal playback cannot be achieved with wrong connections for R and L.)
2. Turn the main switch (MAIN SW) of the rear panel ON.
3. Turn the operation switch (OPERATION) of the front panel ON.
Move the volume control of the amplifier to the minimum position at the time of operation ON/OFF.

How to insert and play a compact disc (CD)

1. Press the open/close button (■/▲ of the main unit or the ▲ button of the remote control) to open the disc tray.
2. Put a compact disc (CD) on the tray with the label facing upwards.
3. Press the open/close button to close the disc tray.
* When the compact disc (CD) is set, the disc information is read out and the total number of music tracks and the total playback time are displayed.

Regular playback

When the play/pause button (▶/||) is pressed after disc insertion, playback starts with the first music track on the disc.
After the last music track is played, playback stops automatically.

Program playback

Using a remote control, it is possible to play music on the disc in your favorite order.

1. When the program button (PROG) is pressed during stoppage, "00 P-00" is indicated on the display. The two-digit figure before "P" indicates the track being selected and the two-digit figure after "P" indicates the total number of tracks already selected.
2. Press a numerical button (1 - 9, 0) to select music to program.
3. When the program button (PROG) is pressed, the selected music and the order are saved and the programmed numeral is indicated in the display.
4. Repeat steps 2 - 3 to select another music track. A maximum of 30 music tracks can be programmed.
5. When the play/pause button (▶/||) is pressed, programmed playback starts and music is played in the edited order.
6. When the "0" button is pressed while editing, the contents are automatically deleted.
7. When the contents of editing have to be changed, press the program button (PROG) for the required times while playback is stopped until already edited program is displayed. Editing is finished when the contents are changed and the program button (PROG) is pressed.

Other playback methods

For playback methods other than the regular method, refer to the functional descriptions about the respective buttons on pages 5 to 6.

Specifications

| | |
|-----------------------------|--|
| Applicable disc | Compact disc digital audio |
| Number of quantization bits | 16 bits |
| Sampling Frequency | 44.1KHz |
| Number of channels | 2 (stereo) |
| Frequency response | DC to 20 kHz |
| Total harmonic distortion | 0.005% or less (1 kHz) |
| Dynamic range | 95dB or more |
| S/N ratio | 92dB or more |
| Output level | 2V |
| Digital output | Optical (TOS-LINK), coaxial (RCA) |
| Programmed performance | 30 music tracks (max.) |
| Power consumption | 15W, 0.1W (standby) |
| Power supply | AC230V (50Hz) |
| Accessories | Remote controller, power cable, Owner's Manual, Safety cautions, 2 pieces of AAA batteries |
| Dimensions | 297W X 75H X 210 (224) D mm (I/O terminals in brackets, including operating knobs) |
| Weight | 4.0kg |

* Design and specifications are subject to change without notice.

If you encounter a problem during use, check the following checklist and instruction manuals of the other components before suspecting a fault and sending your unit in for repairs.

| Problem | Cause | Solution |
|--|---|---|
| No power is supplied even though the operation switch is pressed ON. | <ul style="list-style-type: none"> • The power plug is disconnected from the wall outlet, or it is not completely inserted. • The power plug is disconnected from the AC inlet, or it is not inserted completely. | <ul style="list-style-type: none"> • Insert the power plug in the wall outlet completely. • Insert the power plug in the AC inlet completely. |
| Playback cannot be performed, the sound skips, or the disc tray comes out. | <ul style="list-style-type: none"> • The compact disc is inserted backwards. • The disc is set in the disk tray incorrectly. • The disc is dirty. • The interior of this unit suffers from dew condensation. • Vibration is applied to this unit. • This unit is installed at an angle. | <ul style="list-style-type: none"> • Put the compact disc in the tray with the label facing upwards. • Set the disc on the disk tray correctly. • Clean the disc to remove dirt. • Remove dew condensation from the interior of this unit. • Be sure the unit is in an environment where it will not be exposed to vibration. • Install this unit parallel to the ground. |
| Playback is possible, but no sound is generated from both right and left channels. | <ul style="list-style-type: none"> • The CD mute mode is on. • The volume control knob of the amplifier is set at the minimum sound level. • The input selector of the amplifier is not set in the playback source position. • Cable connections are incomplete. | <ul style="list-style-type: none"> • Press the CD MUTE button of the remote control to cancel the mute mode. • Turn the volume control of the amplifier clockwise to increase the sound volume. • Set the input selector of the amplifier in the playback source position. • Make cable connections correctly. |
| No sound comes out on one side. | <ul style="list-style-type: none"> • The connecting cable is not connected on one side only. | <ul style="list-style-type: none"> • Make cable connections correctly. |
| The remote control cannot be operated. | <ul style="list-style-type: none"> • The remote control is operated deviating from the specified operating range. • The remote control battery has drained out. | <ul style="list-style-type: none"> • Operate the remote control within the specified operating range. • Replace the remote control battery with a new one. |

